

High Voltage Transistors

We declare that the material of product compliance with RoHS requirements.

Ordering Information

Device	Marking	Shipping
LMBT6 517LT1G	1Z	3000/Tape&Reel
LMBT6517LT3G	1Z	10000/Tape&Reel

MAXIMUM RATINGS

Rating	Symbol	Value	Unit
Collector–Emitter Voltage	V_{CEO}	350	Vdc
Collector–Base Voltage	V_{CBO}	350	Vdc
Emitter–Base Voltage	V_{EBO}	5.0	Vdc
Base Current	I_B	250	mAdc
Collector Current — Continuous	I_C	500	mAdc

THERMAL CHARACTERISTICS

Characteristic	Symbol	Max	Unit
Total Device Dissipation FR–5 Board, (1) $T_A = 25^\circ\text{C}$	P_D	225	mW
Derate above 25°C		1.8	mW/ $^\circ\text{C}$
Thermal Resistance, Junction to Ambient	$R_{\theta JA}$	556	$^\circ\text{C}/\text{W}$
Total Device Dissipation Alumina Substrate, (2) $T_A = 25^\circ\text{C}$	P_D	300	mW
Derate above 25°C		2.4	mW/ $^\circ\text{C}$
Thermal Resistance, Junction to Ambient	$R_{\theta JA}$	417	$^\circ\text{C}/\text{W}$
Junction and Storage Temperature	T_J, T_{stg}	–55 to +150	$^\circ\text{C}$

DEVICE MARKING

LMBT6517LT1 G= 1Z

ELECTRICAL CHARACTERISTICS ($T_A = 25^\circ\text{C}$ unless otherwise noted.)

Characteristic	Symbol	Min	Max	Unit
----------------	--------	-----	-----	------

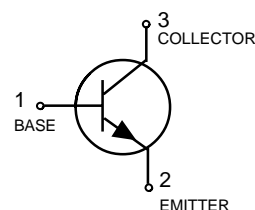
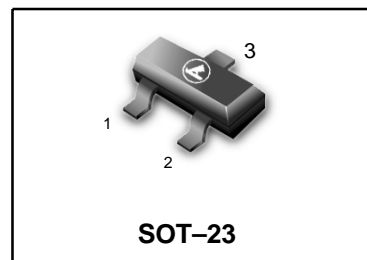
OFF CHARACTERISTICS

Collector–Emitter Breakdown Voltage ($I_C = 1.0 \text{ mAdc}$)	$V_{(BR)CEO}$	350	—	Vdc
Collector–Base Breakdown Voltage ($I_C = 100 \mu\text{Adc}$)	$V_{(BR)CBO}$	350	—	Vdc
Emitter–Base Breakdown Voltage ($I_E = 10 \mu\text{Adc}$)	$V_{(BR)EBO}$	6.0	—	Vdc
Collector Cutoff Current ($V_{CB} = 250\text{Vdc}$)	I_{CBO}	—	50	nAdc
Emitter Cutoff Current ($V_{EB} = 5.0\text{Vdc}$)	I_{EBO}	—	50	nAdc

1. FR–5 = $1.0 \times 0.75 \times 0.062 \text{ in.}$

2. Alumina = $0.4 \times 0.3 \times 0.024 \text{ in.}$ 99.5% alumina.

LMBT6517LT1G



LMBT6517LT1G
ELECTRICAL CHARACTERISTICS ($T_A = 25^\circ\text{C}$ unless otherwise noted) (Continued)

Characteristic	Symbol	Min	Max	Unit
----------------	--------	-----	-----	------

ON CHARACTERISTICS

DC Current Gain ($I_C = 1.0\text{ mAdc}, V_{CE} = 10\text{ Vdc}$) ($I_C = 10\text{ mAdc}, V_{CE} = 10\text{ Vdc}$) ($I_C = 30\text{ mAdc}, V_{CE} = 10\text{ Vdc}$) ($I_C = 50\text{ mAdc}, V_{CE} = 10\text{ Vdc}$) ($I_C = 100\text{ mAdc}, V_{CE} = 10\text{ Vdc}$)	h_{FE}	20 30 30 20 15	— — 200 200 —	—
Collector–Emitter Saturation Voltage(3) ($I_C = 10\text{ mAdc}, I_B = 1.0\text{ mAdc}$) ($I_C = 20\text{ mAdc}, I_B = 2.0\text{ mAdc}$) ($I_C = 30\text{ mAdc}, I_B = 3.0\text{ mAdc}$) ($I_C = 50\text{ mAdc}, I_B = 5.0\text{ mAdc}$)	$V_{CE(sat)}$	— — — —	0.30 0.35 0.50 1.0	Vdc
Base – Emitter Saturation Voltage ($I_C = 10\text{ mAdc}, I_B = 1.0\text{ mAdc},$) ($I_C = 20\text{ mAdc}, I_B = 2.0\text{ mAdc},$) ($I_C = 30\text{ mAdc}, I_B = 3.0\text{ mAdc},$)	$V_{BE(sat)}$	— — —	0.75 0.85 0.90	Vdc
Base–Emitter On Voltage ($I_C = 100\text{ mAdc}, V_{CE} = 10\text{ Vdc}$)	$V_{BE(on)}$	—	2.0	Vdc

SMALL–SIGNAL CHARACTERISTICS

Current Gain–Bandwidth Product ($V_{CE} = 20\text{ Vdc}, I_C = 10\text{ mAdc}, f = 20\text{ MHz}$)	f_T	40	200	MHz
Collector –Base Capacitance ($V_{CB} = 20\text{ Vdc}, f = 1.0\text{ MHz}$)	C_{cb}	—	6.0	pF
Emitter –Base Capacitance ($V_{EB} = 0.5\text{ Vdc}, f = 1.0\text{ MHz}$)	C_{eb}	—	80	pF

 3. Pulse Test: Pulse Width = 300 μs , Duty Cycle = 2.0%.

LMBT6517LT1G

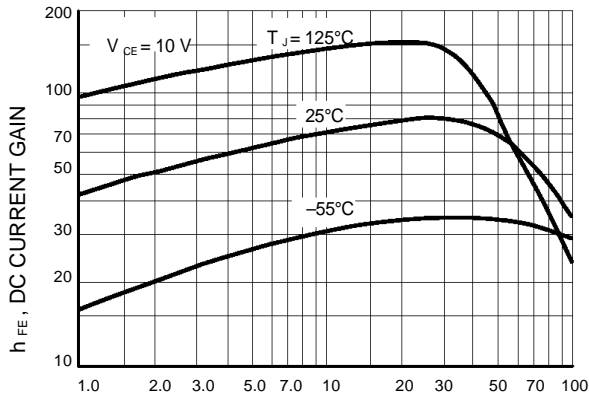


Figure 1. DC Current Gain

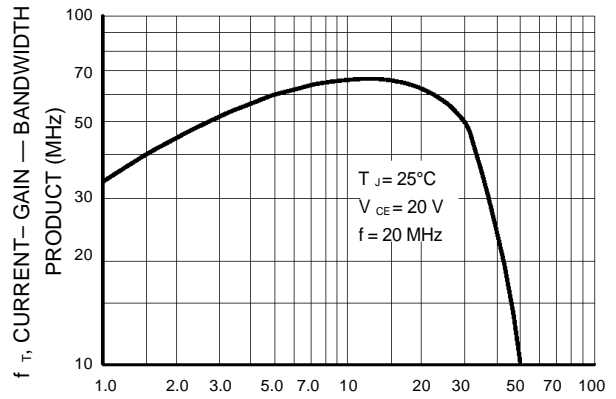


Figure 2. Current-Gain — Bandwidth Product

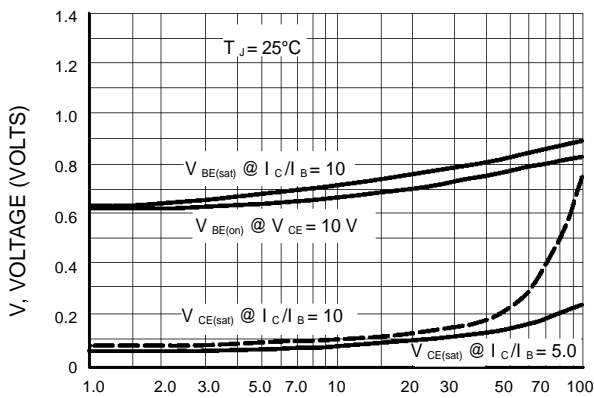


Figure 3. "On" Voltages

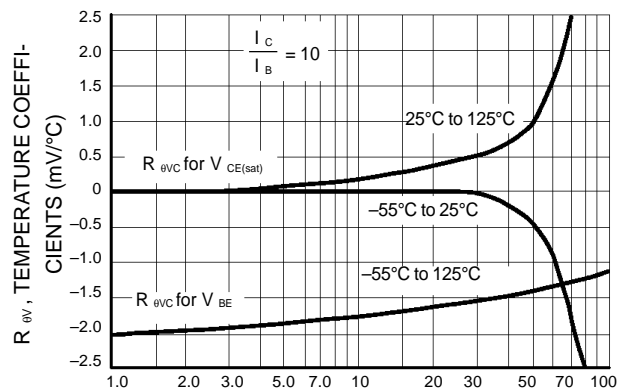


Figure 4. Temperature Coefficients

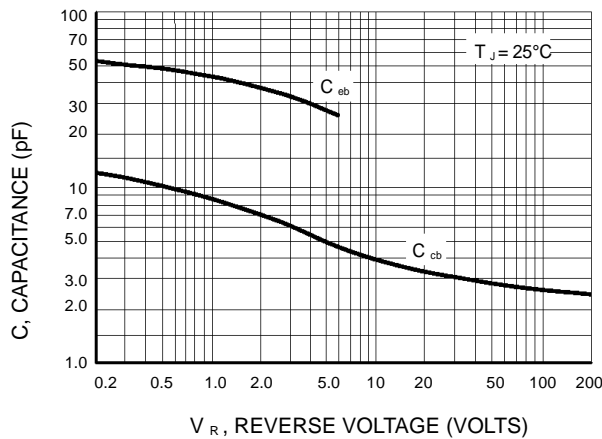
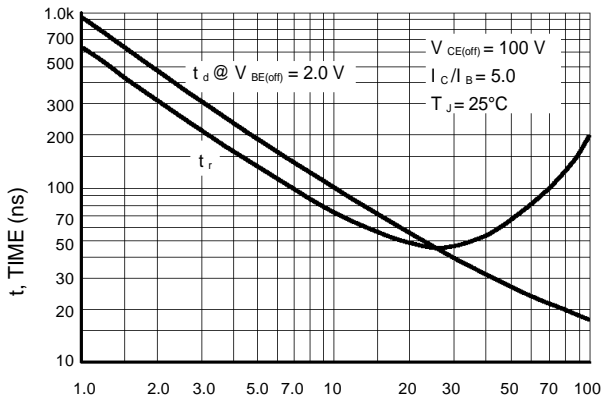
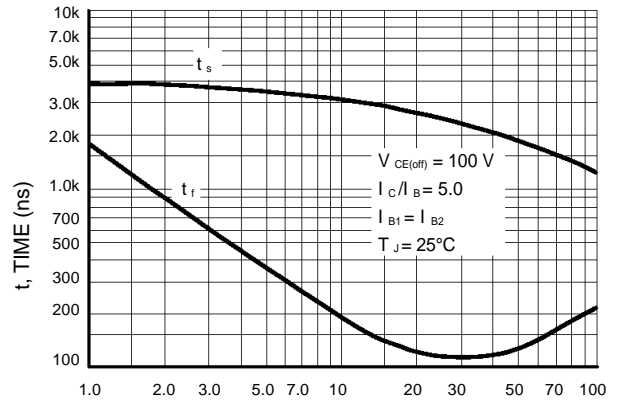


Figure 5. Capacitance

LMBT6517LT1G



I_C , COLLECTOR CURRENT (mA)
Figure 6. Turn-On Time



I_C , COLLECTOR CURRENT (mA)
Figure 7. Turn-Off Time

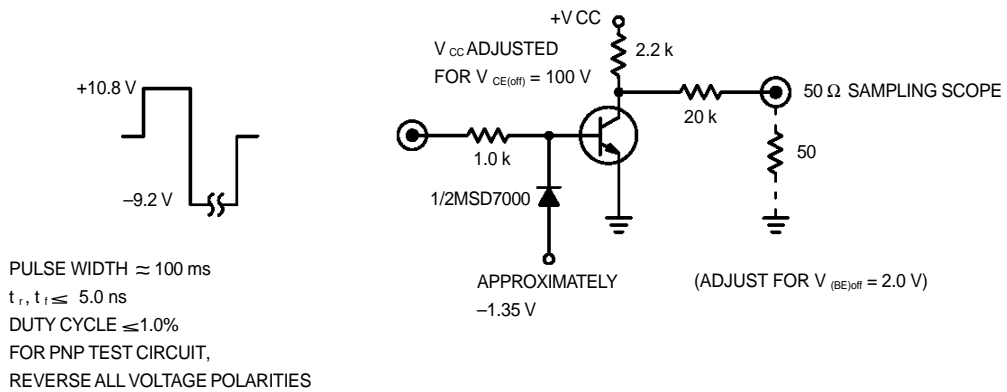


Figure 8. Switching Time Test Circuit

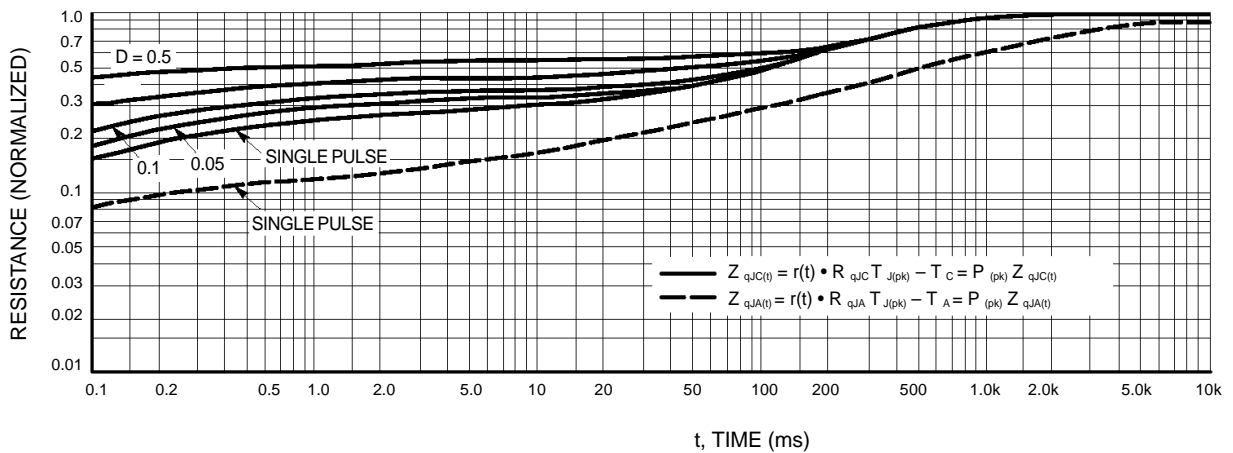
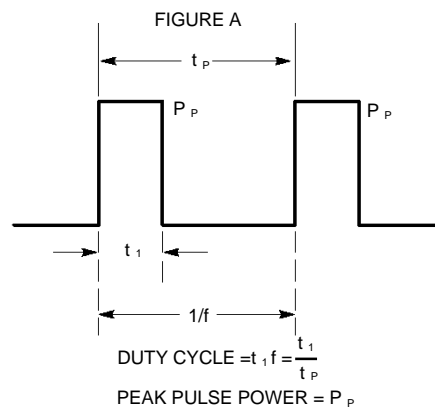


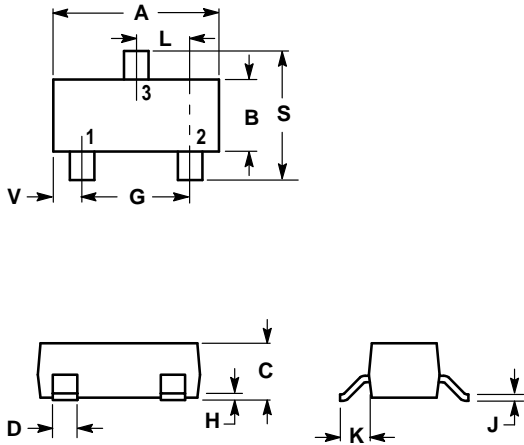
Figure 9. Thermal Response

LMBT6517LT1G

Design Note: Use of Transient Thermal Resistance Data

LMBT6517LT1G

SOT-23

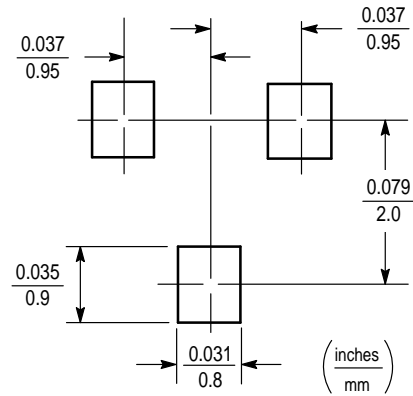


NOTES:

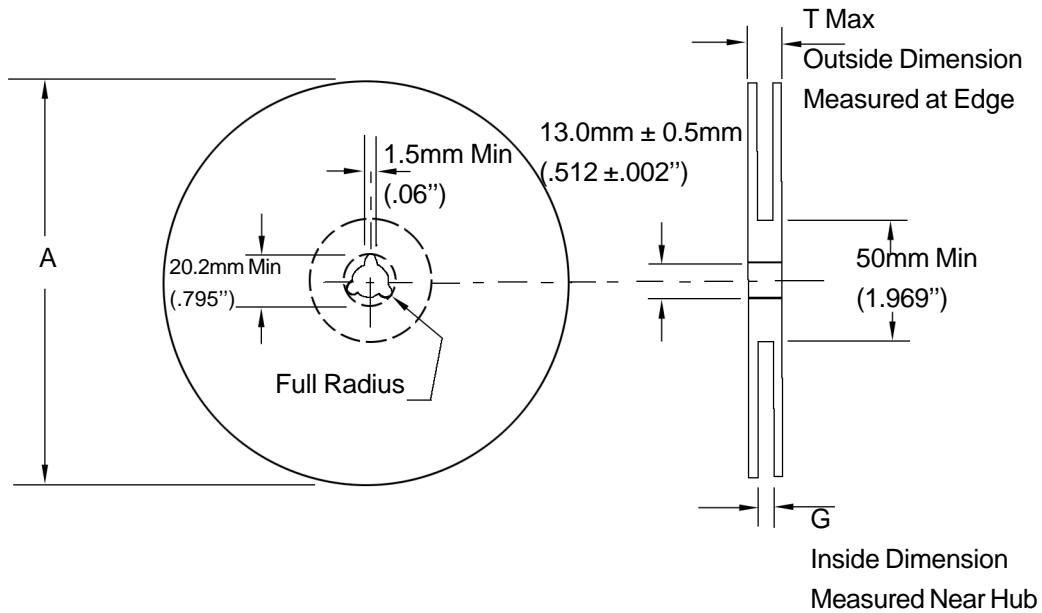
1. DIMENSIONING AND TOLERANCING PER ANSI Y14.5M, 1982.
2. CONTROLLING DIMENSION: INCH.

DIM	INCHES		MILLIMETERS	
	MIN	MAX	MIN	MAX
A	0.1102	0.1197	2.80	3.04
B	0.0472	0.0551	1.20	1.40
C	0.0350	0.0440	0.89	1.11
D	0.0150	0.0200	0.37	0.50
G	0.0701	0.0807	1.78	2.04
H	0.0005	0.0040	0.013	0.100
J	0.0034	0.0070	0.085	0.177
K	0.0140	0.0285	0.35	0.69
L	0.0350	0.0401	0.89	1.02
S	0.0830	0.1039	2.10	2.64
V	0.0177	0.0236	0.45	0.60

- PIN 1. BASE
 2. EMITTER
 3. COLLECTOR



EMBOSSED TAPE AND REEL DATA FOR DISCRETES



Size	A Max	G	T Max
8 mm	330mm (12.992")	8.4mm+1.5mm, -0.0 (.33"+.059", -0.00)	14.4mm (.56")

Reel Dimensions

Metric Dimensions Govern — English are in parentheses for reference only

Storage Conditions

Temperature: 5 to 40 Deg.C (20 to 30 Deg. C is preferred)

Humidity: 30 to 80 RH (40 to 60 is preferred)

Recommended Period: One year after manufacturing

(This recommended period is for the soldering condition only. The characteristics and reliabilities of the products are not restricted to this limitation)

Shipment Specification

